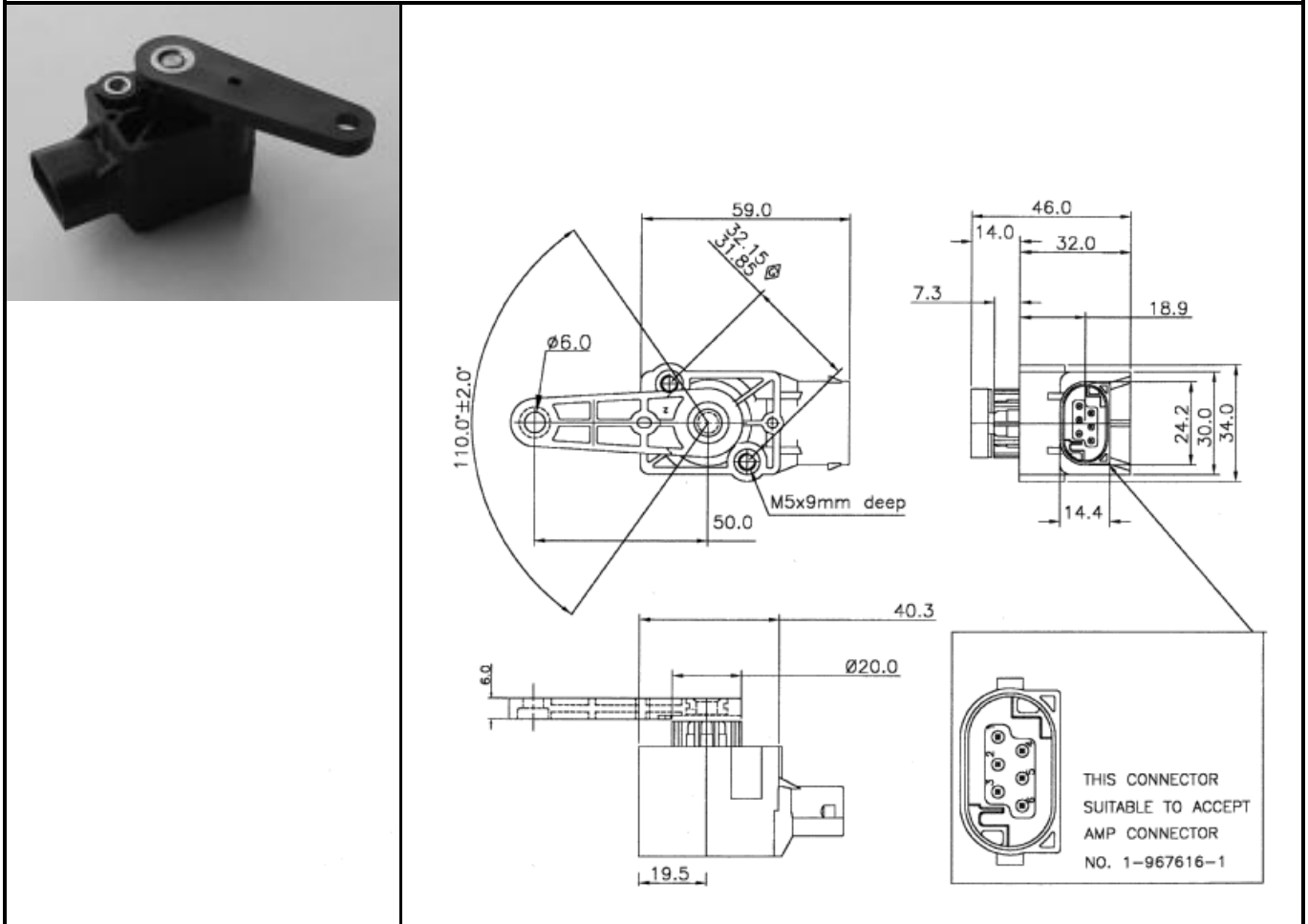


## Multi-Function Chassis Sensor



A Multi-function sensor based on the Industry Standard package size for use in Suspension Control and Headlamp levelling. The sensor has the option of single or dual potentiometer track outputs and has a capability of having an integral electronic signal conditioning unit.

Resistance Value	1K25 ohm track, wiper protection resistor 1K
Independent Linearity	+/- 1%
Electrical Angle	2 X 110°
Operating Temperature	-40°C to +150°C
Endurance	10 X 10 <sup>6</sup> short stroke, 200 X 10 <sup>6</sup> dither cycles

CRL.1073 ISSUE 1



AB ELECTRONIC LTD. COLVERN HOUSE, SPRING GARDENS, ROMFORD, ESSEX RM7 9LP ENGLAND

Tel: (+44) 01708 762222

Fax: (+44) 01708 776110

E-mail: @abelectronic.com