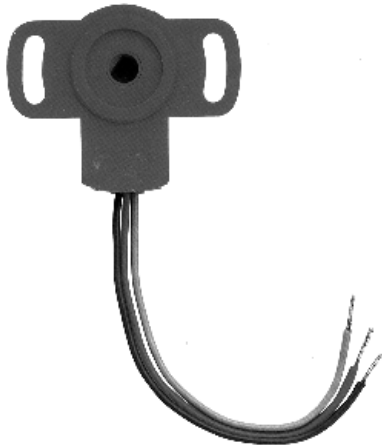
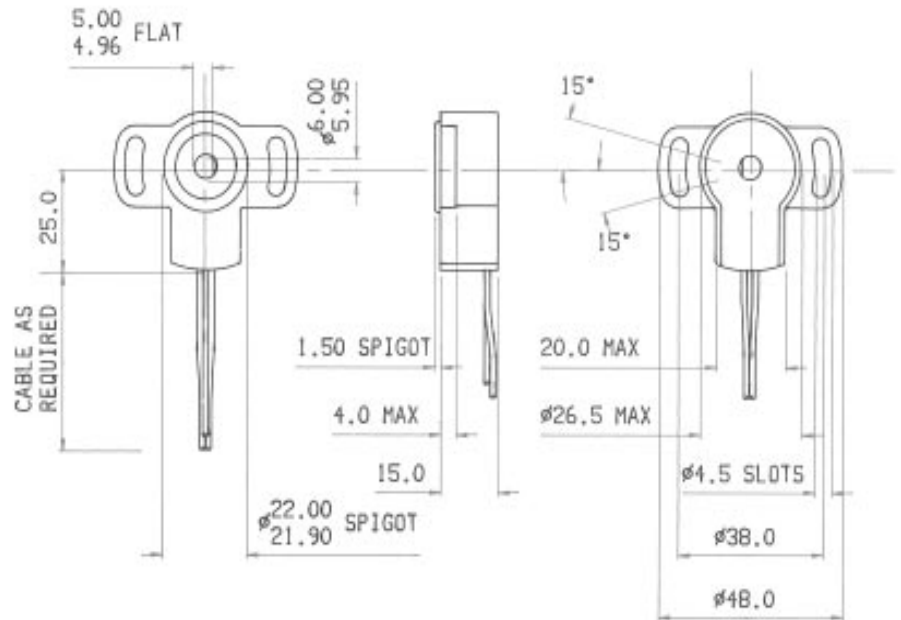


CP10 series



Dimensions mm



Part Number	CP10
Resistance Value Options	1K ohms to 50K ohms
Tolerance	+/-20%
Independent Linearity	± 2% max
Output Signal Temp Coeff.	<25 ppm / ° C MAX
Output Smoothness	0.1% max
Operating Temperature	-40°C to +125°C
Sealing Level	IP40
Power Rating	0.15W @ 70° C
Wiper Current	30mA Maximum (limited by dissipation)
Effective Angle	255° ±8° others on request
Mechanical Angle	300°
Operational Torque	3 – 20 mNm
Drive Method	“D” Drive Spindle
Endurance	1 x 10 ⁶ cycles

