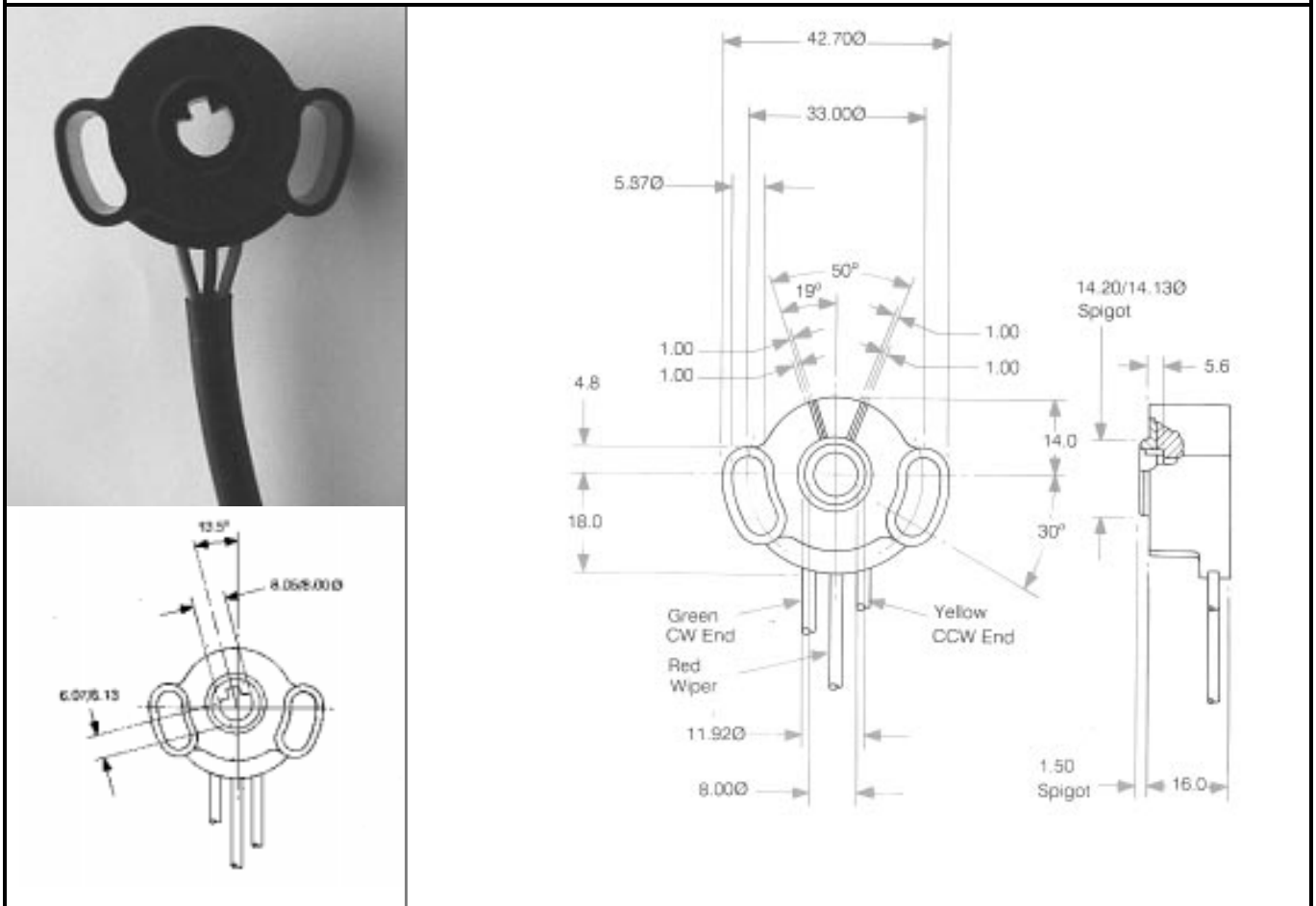


## Autosensors



Part Number	CP17/700
Resistance Value Options	1K to 10K ohms
Tolerance	+/-20%
Independent Linearity	± 2% max
Output Signal Temp Coeff.	<25 ppm/°c max
Output Smoothness	<0.5%
Operating Temperature	-30°C to +120°C
Isolation Voltage	500v a.c. r.m.s
Hysteresis	<0.3%
Effective Angle	94° ± 3° standard
Mechanical Angle	112° ± 4° max
Operational Torque	100 mNm max
End Stop Torque	800 mNm
Endurance	5 x 10 <sup>6</sup> cycles

CLR.1078 ISSUE 1



AB ELECTRONIC LTD. COLVERN HOUSE, SPRING GARDENS, ROMFORD, ESSEX RM7 9LP ENGLAND

Tel: (+44) 01708 762222

Fax: (+44) 01708 776110

E-mail: @abelectronic.com